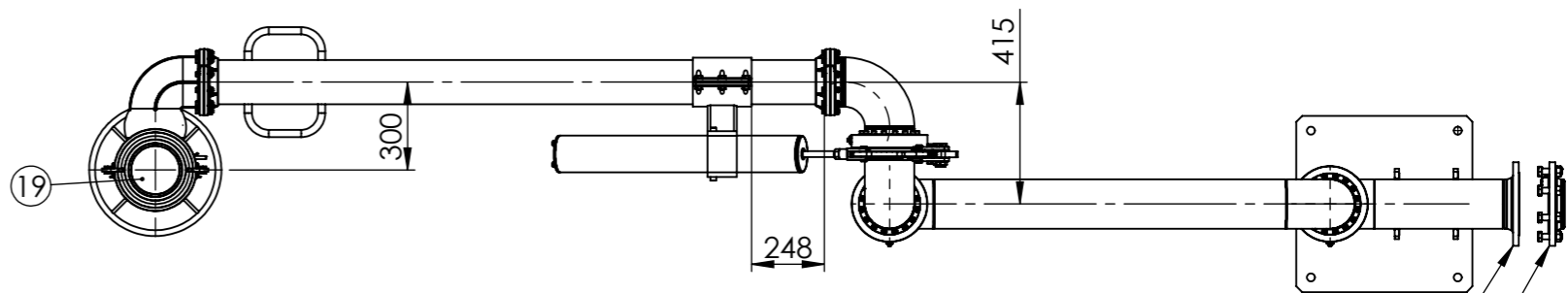
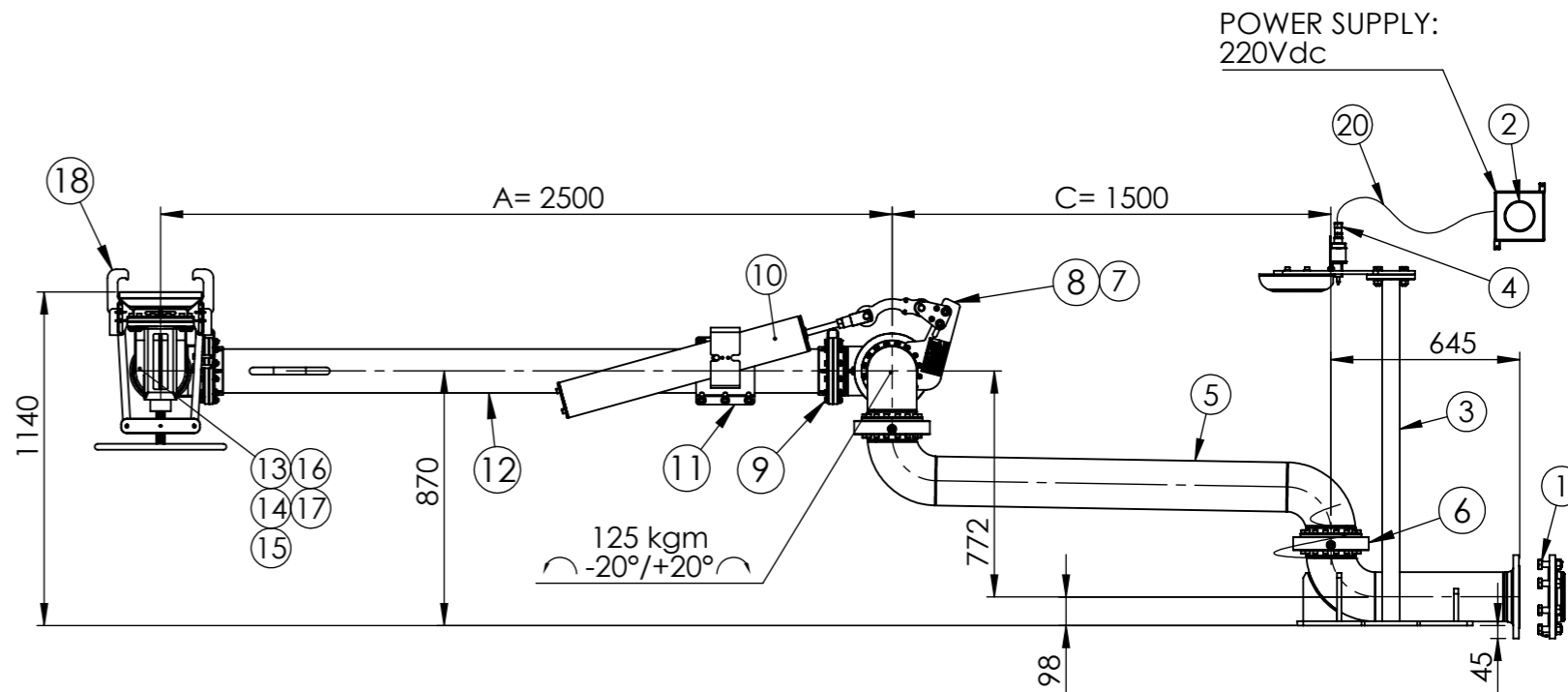


LIQUID TRANSFER s.r.l.
 Via Primo Maggio 19
 40064 Ozzano Emilia (BO) IT
 www.silea.it MADE IN ITALY

Категория I
 Модуль А

Год: 201_ Код: _____ НОМ.ДИАМ. _____
 Сер. № _____
 Давл. 1 МПа Темп. -47/+120 °C Вес _____ кг
 (макс) (мин/макс)
 Жидк. GRUPPO 1 Комп. _____

**PARK POSITION
+
HOLES TEMPLATE**



FLG. DN150 PN16 WN
Type F: RECESS

FLG. DN150 PN16 WN
Type F: RECESS

SPECIFICATION:

PRODUCT : BENZENE - TOLUENE
 SEALS : PTFE
 DESIGN PRESSURE : 1 MPa
 TEST PRESSURE : 15 bar
 DESIGN TEMPERATURE : -47° / +120°C

20	ELECTRICAL CABLE	0453-0005250	10000	0.2	PVC
19	FILTER	1701-0101135	1	0.16	AISI304L
18	RUSSIAN RAILCAR COUPLER	1701-0101200B	1	16	C.S.+ALU
17	ANTIROLLING COUPLER SUPPORT (R.H.)	1701-0501103	1	0.3	CARBON STEEL
16	HEXAGON NUT	0054-1000007D	2	0.012	6S
15	WASHER	0065-1000006D	4	0.004	R40
14	HEXAGON HEAD BOLT	0014-3000071	2	0.04	8.8
13	6" ALU INTERMEDIATE SWIVEL TTMA FLG.	08580103-T	1	12.2	ALU+PTFE
12	6" ALU PIPE TTMA FLG.	3115032130A	1	8.6	ALUMINIUM
11	6" PISTON BRACKET	3014-6PSR-C	1	14	CARBON STEEL
10	COMPRESSION SPRING BALANCE PISTON	2002-120	1	32	C.S.
9	KIT FOR FLANGE 6" TTMA	23050106-T	3	0.8	AISI304L+PTFE
8	6" PISTON SUPPORT	F879-0000012	1	4	AISI304L
7	NAMEPLATE	2299-0000064E	1	0.02	ALUMINIUM
6	ASSEMBLY KIT - 6" SWIVEL, TEFLON SEALS	2310-26T	3	9	C.S.+PTFE
5	6" BOOM ARM WELDED	17010501-903A	1	130	AISI304L
4	CABLE GLAND	0200-0000012	1	0.2	BRASS
3	PARKING DEVICE FOR 1701 WITH Ex-d ATEX EAC SWITCH	1701-PARK-101	1	24	C.S.+ALU
2	JUNCTION BOX	0200-1000039	1	4	PAINTED ALU
1	MOUNTING KIT FOR DN150 PN16 FLANGE	23051206-T	1	2.8	AISI304+PTFE
Pos	Description	Code	Q.ty	Wt	Material

Remarks
 This document is the property of Silea L.T. S.r.l. All duplication, partial or complete, should not be made without written approval

Dimension without tolerance figures
 tolleranze particolare secondo UNI EN ISO 8015:2011
 tolleranze generali UNI EN ISO 22768-1:1996 - mK

		Description 6" LONG RANGE BOTTOM UNLOADING ARM + PARK + PARK SWITCH	
Material AISI304L+ALU+PTFE		Treat.Term. o Treat.Superf.	
Rev. 0	Weight kg 290	Drawn by Luca Zaccagnini	Scale 1:25
Date 06/09/2018	Code 17010501-904	Format A3	