

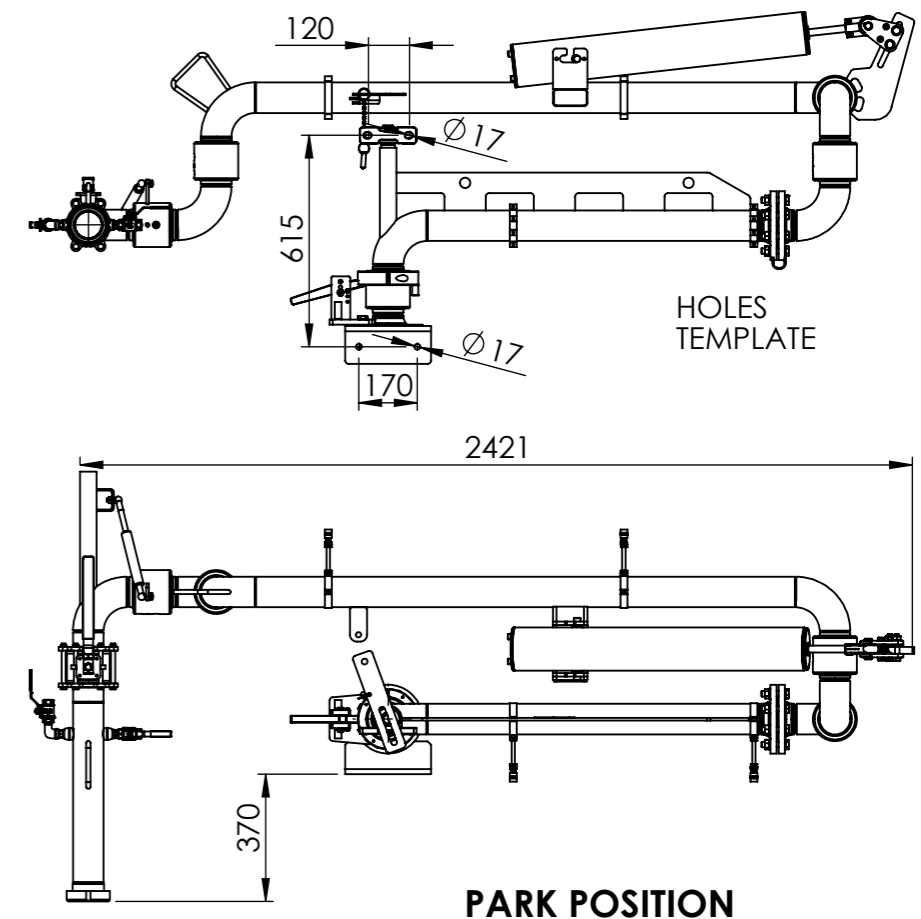
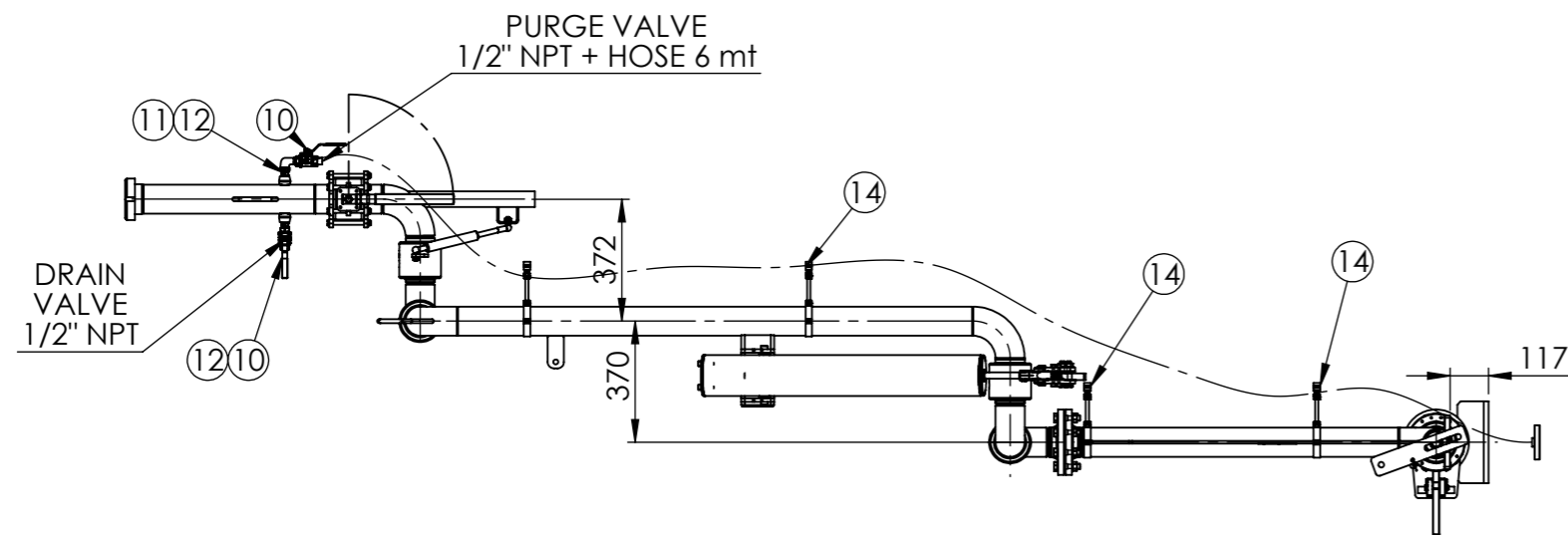
silea
LIQUID TRANSFER s.r.l.
Via Primo Maggio 19
40064 Ozzano Emilia (BO) IT
www.silea.it MADE IN ITALY

Категория I
Модуль А

ГОА КОА НОМ.ДИАМ.
Сер. №
Давл. МПа Темп. °C Вес кг
ЖИЛК. КОМП.

Ps 1 Mpa Ts -45°/+65°C

STANDPOST
REF. COD.
1801-A0002000



| | | | | | |
|-----|---|---------------|------|-------|---------------|
| 18 | PARKING SUPPORT | 1801-0101030 | 1 | 0.8 | AISI304 |
| 17 | CHAIN FOR CAMLOCK COUPLING | 04020101 | 1 | 0.01 | CARBON STEEL |
| 16 | PIN | 1801-0101031 | 1 | 0.038 | AISI304 |
| 15 | REST POS.STOP+ROLL UP LIM.PN10/16-ANSI | 31950201-901 | 1 | 8 | C.S. |
| 14 | C.S. PIPE CLAMPS 3"x1/2" | 3014-1112 | 4 | 0.3 | S.S. |
| 13 | 1/2" FLEXIBLE HOSE | 1802-8401001A | 1 | 3 | C.S.+RUBBER |
| 12 | HEXAGONAL NIPPLE | 0159-3000203 | 2 | 0.05 | AISI316L |
| 11 | ELBOW M/F SERIE 3000 lb | 0159-3000303 | 1 | 0.11 | AISI316L |
| 10 | BALL VALVE 1/2" NPT THREADED | 31963102 | 2 | 0.4 | AISI316L+PTFE |
| 9 | HEXAGON NUT | 0054-1100007 | 2 | 0.012 | A2 |
| 8 | WASHER | 0065-1100006 | 2 | 0.004 | A2 |
| 7 | ADJUSTABLE GAS SPRING L=340X100 KG 250 | 3651-340x100 | 1 | 0.13 | C.S. |
| 6 | COMPRESSION SPRING BALANCE PISTON | 2000-120 | 1 | 31 | CARBON STEEL |
| 5 | MOUNTING KIT FOR DN80 PN16 FLANGE | 23050504-T | 1 | 1.7 | AISI304+PTFE |
| 4 | NAMEPLATE | 2299-0000064E | 1 | 0.02 | ALUMINIUM |
| 3 | PILLOW BLOCK | 0423-1000030B | 1 | 1.93 | S.S. |
| 2 | MAINTENANCE KIT - 3" SWIVEL, PTFE SEALS | 2310-04T | 5 | 0.5 | TEFLON |
| 1 | 4" ARM WELDED RIGHT HAND | 14031201-929A | 1 | 118 | AISI316L |
| Pos | Description | Code | Q.ty | Wt | Material |

Remarks

This document is the property of Silea L.T. S.r.l. All duplication, partial or complete, should not be made without written approval

Dimension without tolerance figures
toleranze particolare UNI EN ISO 8015:2011 tolleranze generali UNI EN ISO 22768-1:1996 - mK

| | | | | | | | |
|--|-----------|--|-------|---------------|--------------|-----------------------------|--|
| www.silea.it Liquid Transfer S.r.l. | | Description | | Material | | Treat.Term. o Treat.Superf. | |
| | | 3" LONG RANGE BOTTOM LOADING ARM R.H. 1/2" DRAIN + B/V + PARK - 3" DIN11851 | | AISI304L+PTFE | | | |
| Rev. | Weight kg | Drawn by | Scale | Date | Code | Format | |
| 4 | 168 | Luca Zaccagnini | 1:23 | 07/09/2016 | 14031201-929 | A3 | |